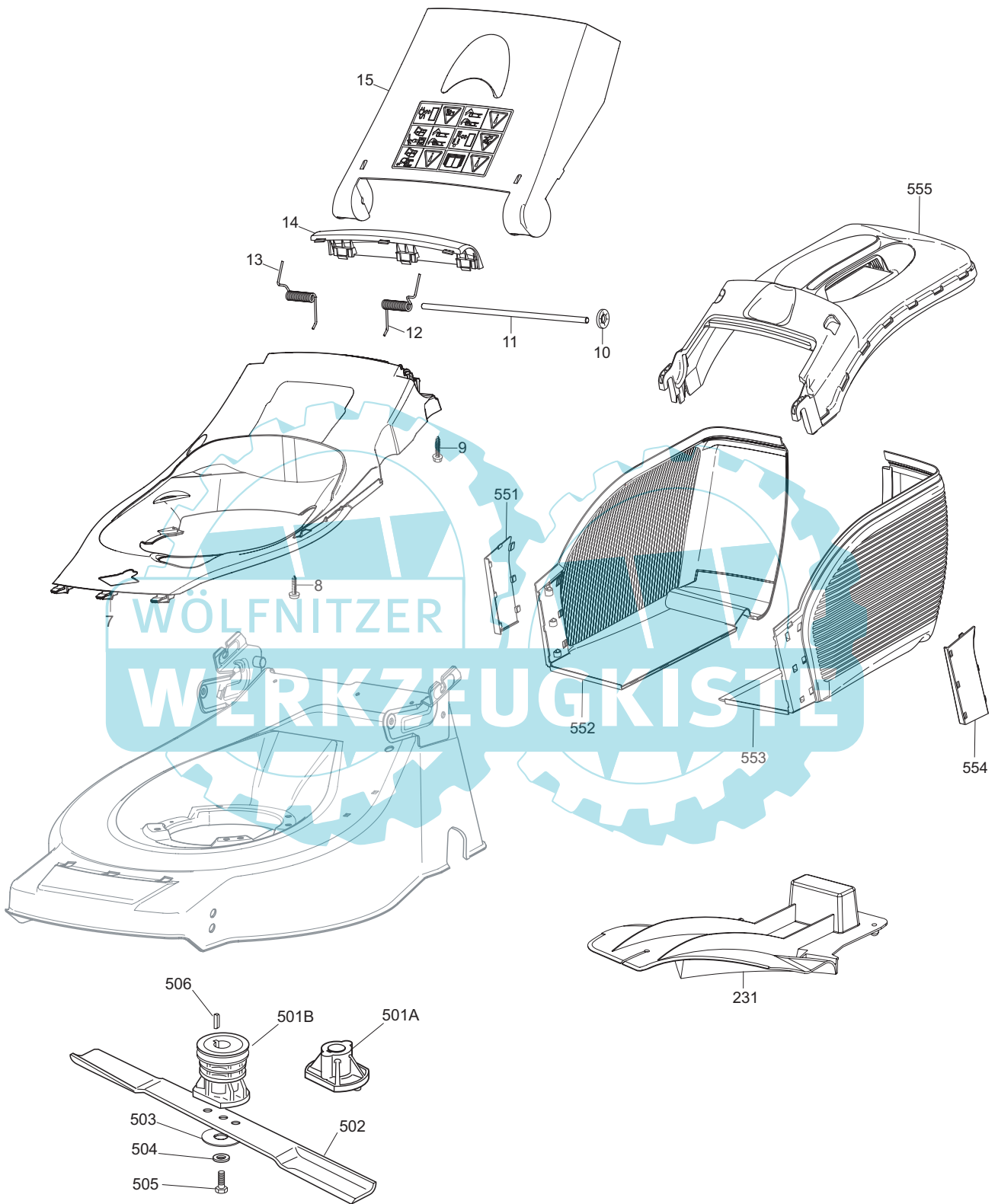


B109

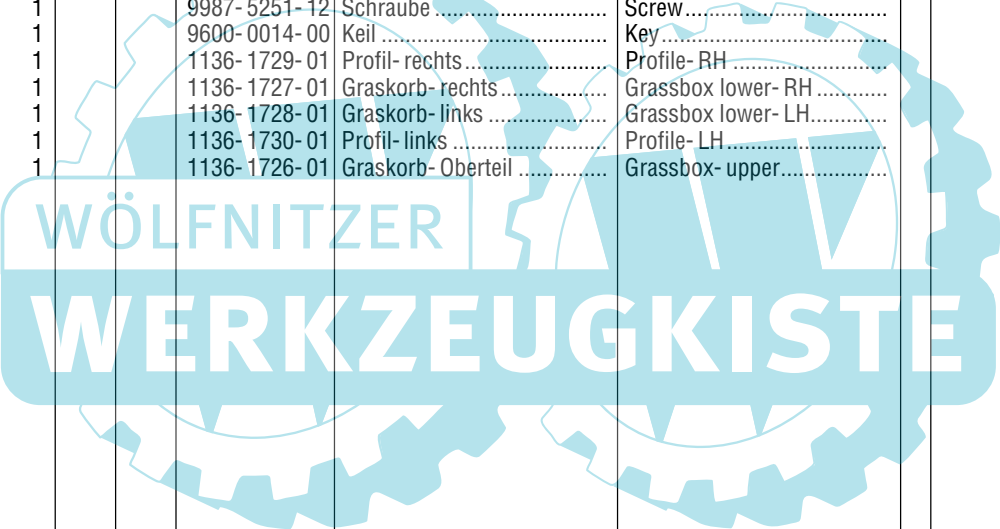
Ausgabe Issue		Bild Nr Picture No		VARIOLUX 53 BC H- 53 BCA H CHASSIE HOLM		VARIOLUX 53 BC H- 53 BCA H CHASSIS HANDLE		Seite Page	
2006- 1		B109						46	
Pos. Fig.	Anzahl/Quantity			Artikel Nr. Part No	Bezeichnung	Description	Satz Kit	Anmerkung Notes	
	53 BCH	53 BCAH							
1	1	1		1136-1754-01	Gehäuse.....	Deck.....			
2	3	3		1136-0615-01	Schraube.....	Screw.....			
3	1	1		1136-0645-01	Schutz.....	Protection.....			
4		4		9847-8119-16	Schraube.....	Screw.....			
5		2		1136-0682-01	Platte.....	Plate.....			
6	1	1		1136-0665-01	Gummieinsatz.....	Rubber insert.....			
16	2	2		1136-0061-01	Propfen.....	Cap.....			
17	1	1		1136-1761-01	Holm- Unterteil.....	Handle- lower.....			
18	1	1		1136-1765-01	Holmrohr.....	Handle tube.....			
19	1	1		1136-1763-01	Holm- Oberteil.....	Handle- upper.....			
20	1	1		1136-1716-01	Handgriff.....	Handgrip.....			
21	2	2		1136-1733-01	Bolzen.....	Pin.....			
22	2	2		9675-0012-02	Verriegelungsscheibe.....	Locking washer.....			
23	4	4		1136-1755-01	Hebel.....	Handle lever.....			
24	4	4		1136-1738-01	Scheibe.....	Washer.....			
25	4	4		1136-0309-01	Scheibe.....	Washer.....			
26	4	4		1136-1721-01	Schloßrad.....	Locking knob.....			
27	4	4		9799-0831-02	Mutter.....	Nut.....			
28	2	2		1136-1746-01	Gummistopfen.....	Cap.....			
29	2	2		1136-1709-01	Ringmutter.....	Ring nut.....			
30	2	2		1136-1708-01	Griff.....	Knob.....			
X 31	2	2		1136-1982-01	Schraube.....	Screw.....			
32	1	1		1136-1720-01	Griff- untere.....	Knob- lower.....			
33	1	1		1136-1719-01	Griff- obere.....	Knob- upper.....			
34	1	1		1136-1762-01	Holmrohr.....	Handle tube.....			
35	2	2		9997-0835-16	Schraube.....	Screw.....		L = 35 mm	
36	2	2		9739-0831-22	Mutter.....	Nut.....			
37	1	1		9997-0835-16	Schraube.....	Screw.....		L = 35 mm	
38	1	1		9699-0090-02	Scheibe.....	Flat washer.....			
39	1	1		9747-0831-02	Mutter.....	Lock nut.....			
40	1	1		1136-1722-01	Seilführer.....	Guide spring.....			
41	1	1		1136-1751-01	Motorbremsdraht.....	Engine brake cable.....			
42	1	1		1136-1343-01	Seilöse.....	Rope guide.....			
43	1	1		9747-0531-02	Mutter.....	Nut.....			
44	1	1		1136-0765-01	Gasdraht.....	Throttle cable.....			
45	1	1		9699-0028-02	Scheibe.....	Flat washer.....			
46	1	1		1136-1680-01	Schraube.....	Screw.....			
47	1	1		1136-1747-01	Deckel.....	Cap.....			
X 51	6	6		1136-1982-01	Schraube.....	Screw.....			
52	1	1		1136-1710-01	Schutz.....	Protection.....			
53	1	1		1136-1743-01	Stütz.....	Support.....			
54	1	2		1136-1744-01	Stütz.....	Support.....			
55	2	4		9836-9116-12	Schraube.....	Screw.....			
56	1	1		1136-1717-01	Regulierbügel.....	Control lever.....			
57	1	1		1136-1712-01	Schutz.....	Protection.....			
58	2	2		1136-1692-01	Deckel.....	Cap.....			
59	1	1		1136-1734-01	Deckel.....	Cover plate.....			
60		1		1136-1718-01	Regulierbügel.....	Control lever.....			
62	1	1		1136-1766-01	Gashebel.....	Throttle lever.....			
63	1	1		1136-1742-01	Stütz.....	Support.....			
64	1	1		9997-0625-16	Schraube.....	Screw.....			
65	1	1		1136-0608-01	Scheibe.....	Washer.....			
66	2	2		9699-0060-02	Scheibe.....	Flat washer.....			
67	1	1		9747-0631-02	Mutter.....	Lock nut.....			
103	1	1		1136-1713-01	Schutz.....	Protection.....			
104	1	1		1136-1711-01	Schutz.....	Protection.....			
105	2	2		1136-1692-01	Deckel.....	Cap.....			
X 106	4	4		1136-1982-01	Schraube.....	Screw.....			
111	1	1		1136-1768-01	Schraubensatz.....	Screw set.....			

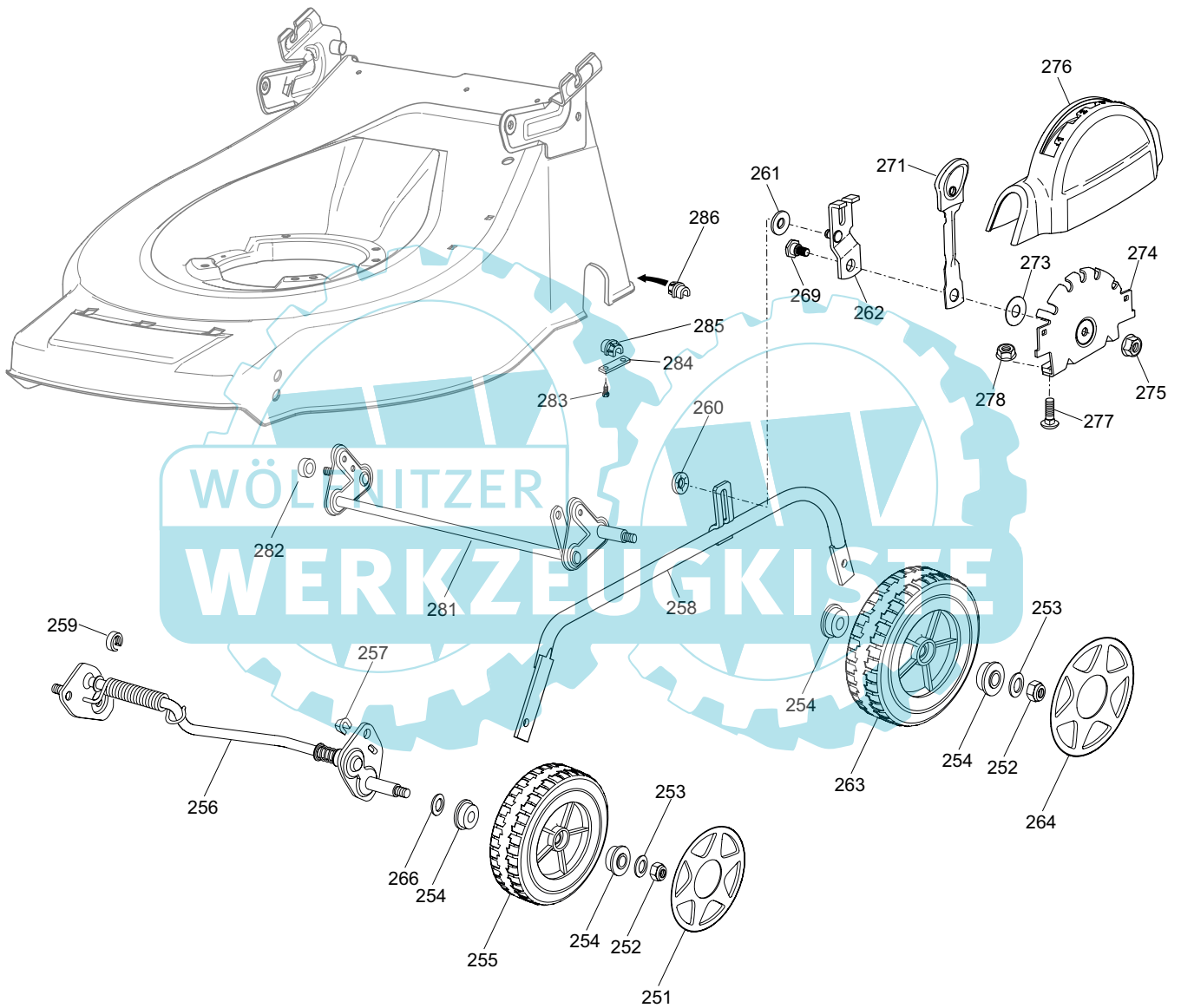


B111



Ausgabe Issue		Bild Nr Picture No		VARIOLUX 53 BC H- 53 BCA H MESSER GRASFANGKORB	VARIOLUX 53 BC H- 53 BCA H BLADE GRASS BOX	Seite Page		
2006- 1		B111				48		
Pos. Fig.	Anzahl/Quantity			Artikel Nr. Part No	Bezeichnung	Description	Satz Kit	Anmerkung Notes
	53 BCH	53 BCAH						
7	1	1		1136-1696-01	Haube .....	Cover .....		
8	2	2		1117-3226-01	Schraube .....	Screw .....		
9	3	3		1136-1458-01	Schraube .....	Screw .....		
10	2	2		9675-0012-02	Verriegelungsscheibe .....	Locking washer .....		
11	1	1		1136-1731-01	Stange .....	Rod .....		
12	1	1		1136-1723-01	Feder- links .....	Spring- LH .....		
13	1	1		1136-1724-01	Feder- rechts .....	Spring- RH .....		
14	1	1		1136-1698-01	Halter .....	Support .....		
15	1	1		1136-1736-01	Klappe .....	Rear flap .....		
231	1	1		1136-0656-01	Deflektor .....	Deflector .....		
501 A	1			1111-9743-01	Nabe .....	Hub .....		
501 B		1		1111-9744-01	Nabe m. Scheibe .....	Hub w. pulley .....		
502	1	1		1111-9726-01	Messer .....	Blade .....		
503	1	1		1136-0083-01	Federscheibe .....	Elastic washer .....		
504	1	1		1136-0015-01	Scheibe .....	Washer .....		
505	1	1		9987-5251-12	Schraube .....	Screw .....		
506	1	1		9600-0014-00	Keil .....	Key .....		
551	1	1		1136-1729-01	Profil- rechts .....	Profile- RH .....		
552	1	1		1136-1727-01	Graskorb- rechts .....	Grassbox lower- RH .....		
553	1	1		1136-1728-01	Graskorb- links .....	Grassbox lower- LH .....		
554	1	1		1136-1730-01	Profil- links .....	Profile- LH .....		
555	1	1		1136-1726-01	Graskorb- Oberteil .....	Grassbox- upper .....		

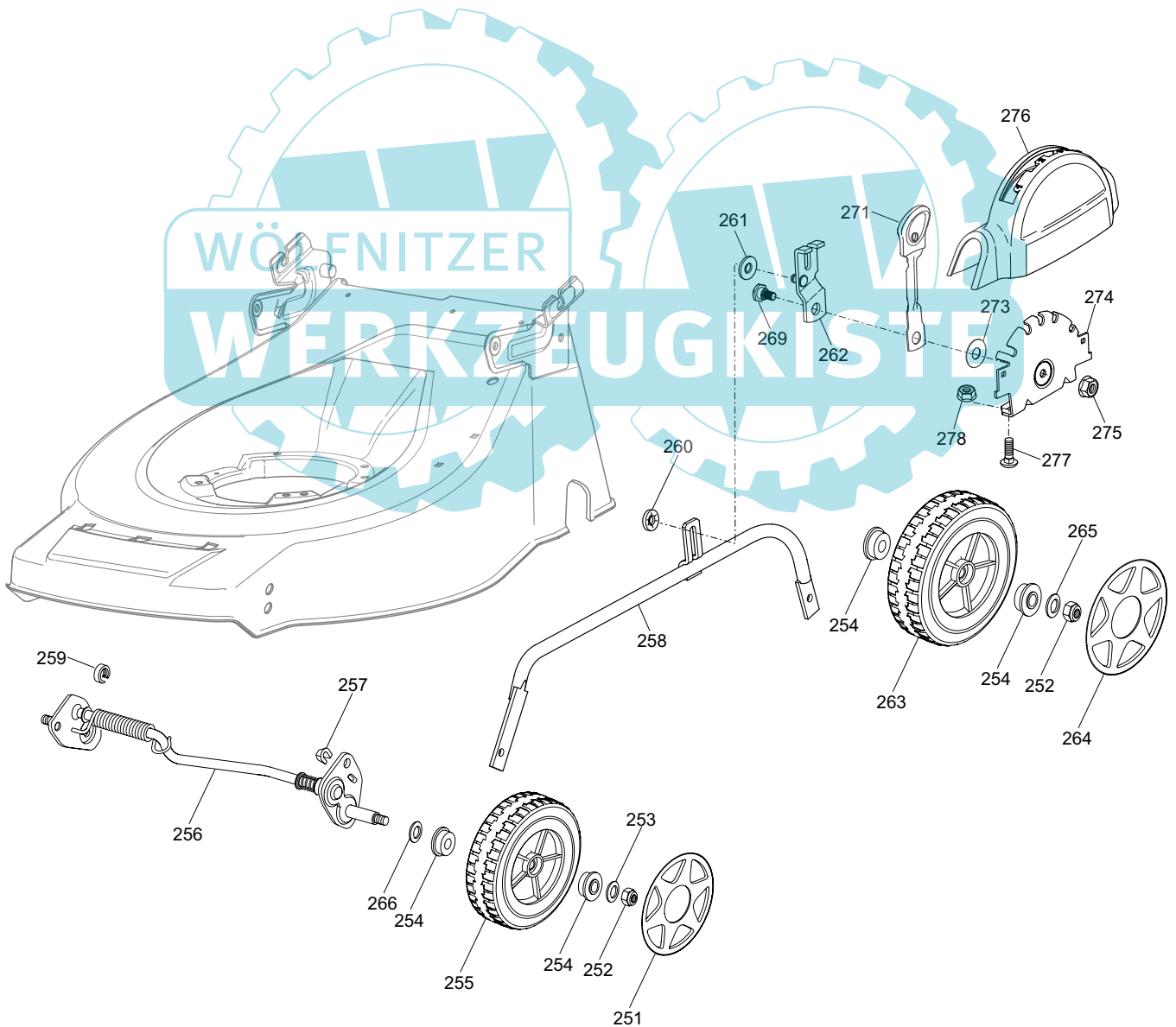
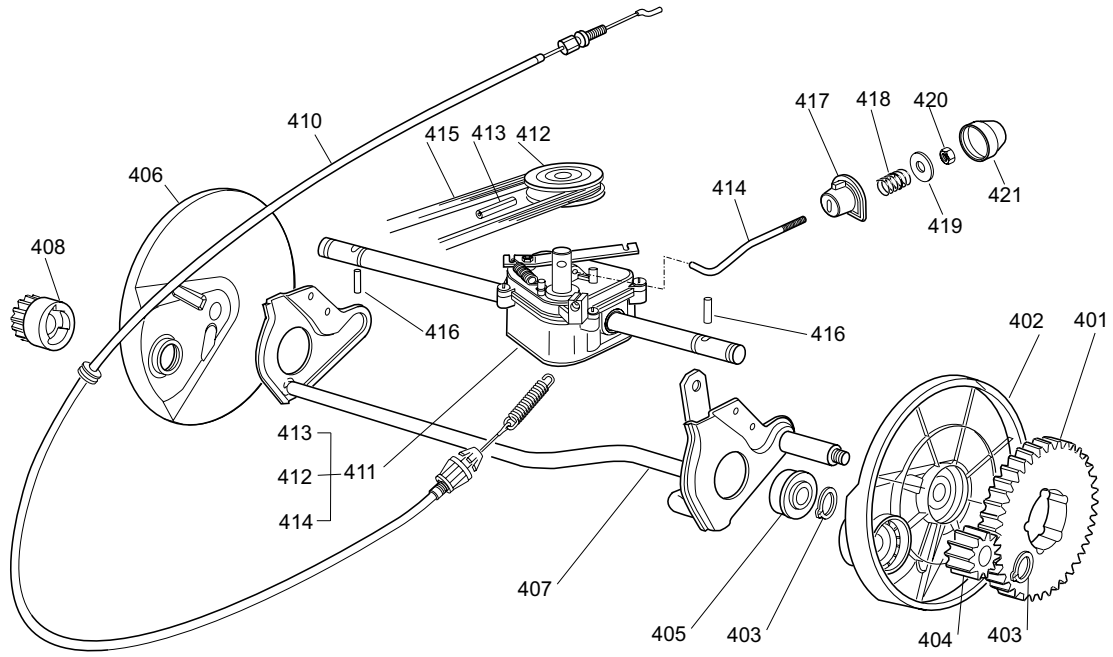




B107



Ausgabe Issue		Bild Nr Picture No		VARIOLUX 53 BC H RADAUFHÄNGUNG		VARIOLUX 53 BC H WHEEL SUSPENSION		Seite Page	
2006- 1		B107						50	
Pos. Fig.	Anzahl/Quantity				Artikel Nr. Part No	Bezeichnung	Description	Satz Kit	Anmerkung Notes
251	2				1136-1701-01 Radkappe- grau .....	Hub cap- grey .....			
252	4				9747-0831-02 Mutter .....	Lock nut .....			
253	4				9699-0090-02 Scheibe .....	Flat washer .....			
254	8				1136-0655-01 Kugellager .....	Ball bearing .....			
255	2				1136-1520-01 Rad .....	Wheel .....			
256	1				1136-0712-01 Vorderradachse .....	Front wheel axle .....			
257	2				1136-0009-01 Schließplatte .....	Lock plate .....			
258	1				1136-1758-01 Höhenverstellstange .....	Height adjust rod .....			
259	1				1136-0658-01 Distanzring .....	Spacer .....			
260	1				9675-0009-02 Verriegelungsscheibe .....	Starlock .....			
261	1				1136-0006-01 Federscheibe .....	Elastic washer .....			
262	1				1136-1757-01 Halter .....	Attachment .....			
263	2				1136-0772-01 Rad .....	Wheel .....			
264	2				1136-1702-01 Radkappe- grau .....	Hub cap- grey .....			
266	4				1136-0609-01 Elastische Scheibe .....	Elastic washer .....			
269	1				1136-1732-01 Schulterschraube .....	Shoulder bolt .....			
271	1				1136-1756-01 Höhenverstellhebel .....	Height adjust lever .....			
273	1				1136-0089-01 Scheibe .....	Washer .....			
274	1				1136-1740-01 Sektor .....	Height adjust sector .....			
275	1				9739-0831-22 Mutter .....	Nut .....			
276	1				1136-1693-01 Deckel .....	Cover .....			
277	2				9898-0616-16 Schraube .....	Screw .....			
278	2				9739-0631-22 Mutter .....	Nut .....			
281	1				1136-0729-01 Hinterradachse .....	Rear wheel axle .....			
282	1				1136-0657-01 Distanzring .....	Spacer .....			
283	4				9847-8119-16 Schraube .....	Screw .....			
284	2				1136-0681-01 Platte .....	Plate .....			
285	1				1136-0636-01 Buchse- links .....	Bush- LH .....			
286	1				1136-0635-01 Buchse- rechts .....	Bush- RH .....			



B103





Ausgabe Issue 2006- 1		Bild Nr Picture No B103		VARIOLUX 53 BCA H RADAUFHÄNGUNG GETRIEBE		VARIOLUX 53 BCA H WHEEL SUSPENSION TRANSMISSION		Seite Page 52	
Pos. Fig.	Anzahl/Quantity				Artikel Nr. Part No	Bezeichnung	Description	Satz Kit	Anmerkung Notes
251	2				1136-1701-01	Radkappe- grau .....	Hub cap- grey .....		
252	4				9747-0831-02	Mutter .....	Lock nut .....		
253	2				9699-0090-02	Scheibe .....	Flat washer .....		
254	8				1136-0655-01	Kugellager .....	Ball bearing .....		
255	2				1136-1520-01	Rad .....	Wheel .....		
256	1				1136-0712-01	Vorderradachse .....	Front wheel axle .....		
257	2				1136-0009-01	Schließplatte .....	Lock plate .....		
258	1				1136-1758-01	Höhenverstellstange .....	Height adjust rod .....		
259	1				1136-0658-01	Distanzring .....	Spacer .....		
260	1				9675-0009-02	Verriegelungsscheibe .....	Starlock .....		
261	1				1136-0006-01	Federscheibe .....	Elastic washer .....		
262	1				1136-1757-01	Halter .....	Attachment .....		
263	2				1136-0772-01	Rad .....	Wheel .....		
264	2				1136-1702-01	Radkappe- grau .....	Hub cap- grey .....		
265	2				1136-0006-01	Federscheibe .....	Elastic washer .....		
266	2				1136-0609-01	Elastische Scheibe .....	Elastic washer .....		
269	1				1136-1732-01	Schulterschraube .....	Shoulder bolt .....		
271	1				1136-1756-01	Höhenverstellhebel .....	Height adjust lever .....		
273	1				1136-0089-01	Scheibe .....	Washer .....		
274	1				1136-1740-01	Sektor .....	Height adjust sector .....		
275	1				9739-0831-22	Mutter .....	Nut .....		
276	1				1136-1693-01	Deckel .....	Cover .....		
277	2				9898-0616-16	Schraube .....	Screw .....		
278	2				9739-0631-22	Mutter .....	Nut .....		
401	2				1136-0653-01	Kranz .....	Ring gear .....		
402	1				1136-0690-01	Radschutz- links .....	Wheel protection- LH .....		
403	4				9650-0012-04	Seegersicherung .....	Circlip .....		
404	1				1136-0685-01	Ritzel- links .....	Pinion- LH .....		
405	2				1136-0632-01	Lager .....	Bearing .....		
406	1				1136-0689-01	Radschutz- rechts .....	Wheel protection- RH .....		
407	1				1136-0713-01	Hinterradachse .....	Rear wheel axle .....		
408	1				1136-0684-01	Ritzel- rechts .....	Pinion- RH .....		
410	1				1136-1748-01	Kupplungsdraht .....	Clutch cable .....		
411	1				1136-1456-01	Getriebe Kpl (schw) .....	Gearbox assy (black) .....		
412	1				1136-0692-01	Riemenscheibe .....	Pulley .....		
413	1				1136-0612-01	Stift .....	Pin .....		
414	1				1136-1454-01	Verstellstange .....	Adjustment rod .....		
415	1				1111-9746-01	Riemen .....	Belt .....		
416	2				1136-0697-01	Stift .....	Pin .....		
417	1				1136-0638-01	Buchse .....	Bush .....		
418	1				1136-0668-01	Feder .....	Spring .....		
419	1				1136-0091-01	Scheibe .....	Washer .....		
420	1				9747-0631-02	Mutter .....	Lock nut .....		
421	1				1136-0081-01	Nabenkapsel .....	Hub cap .....		